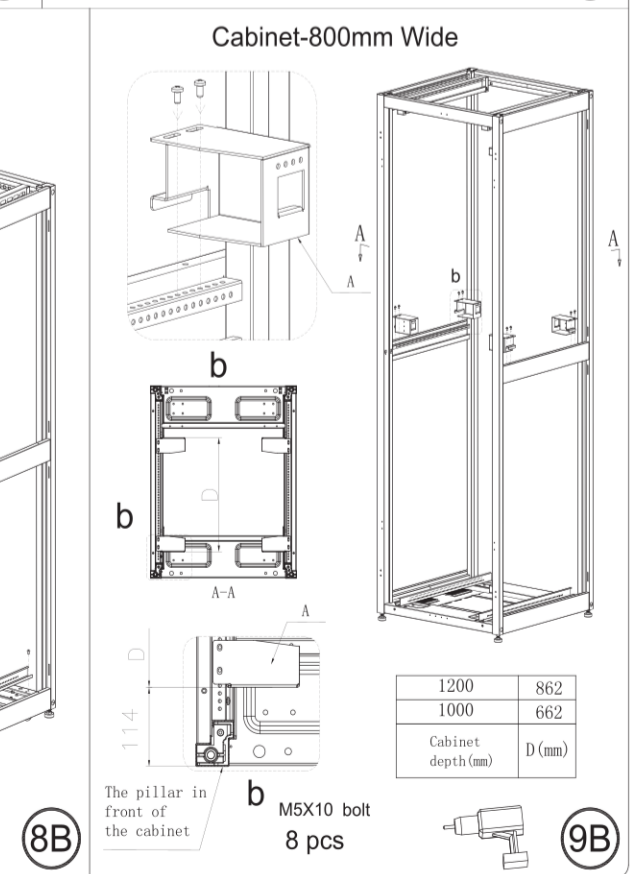
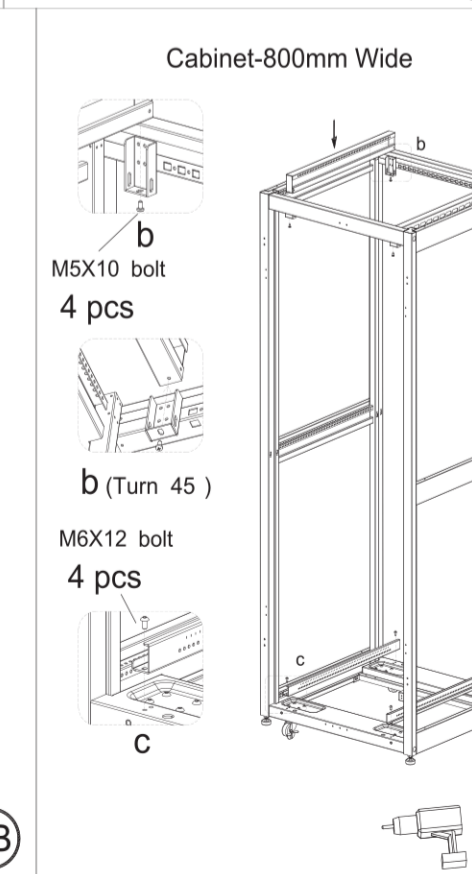
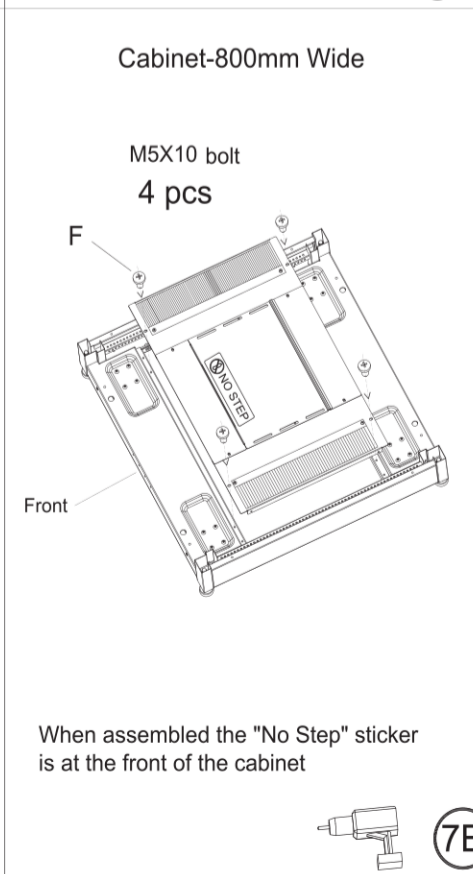
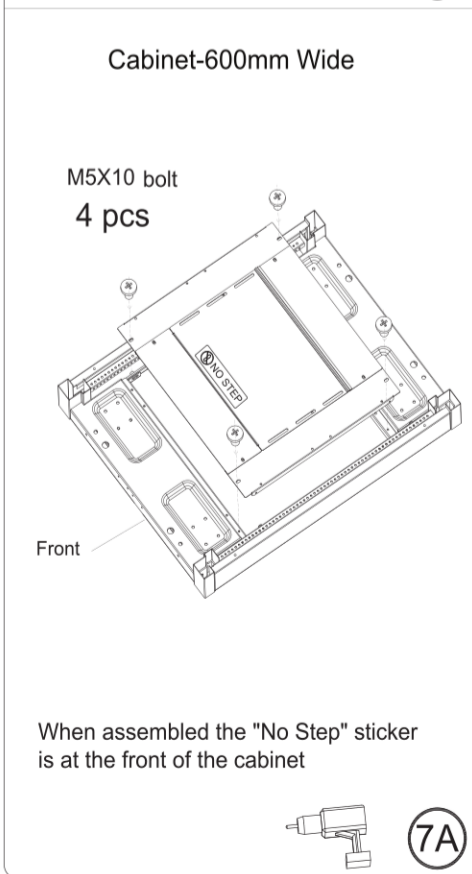
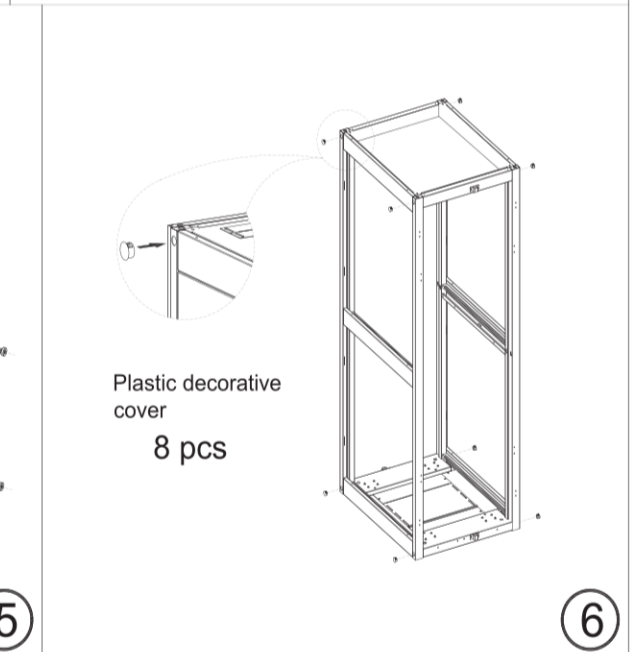
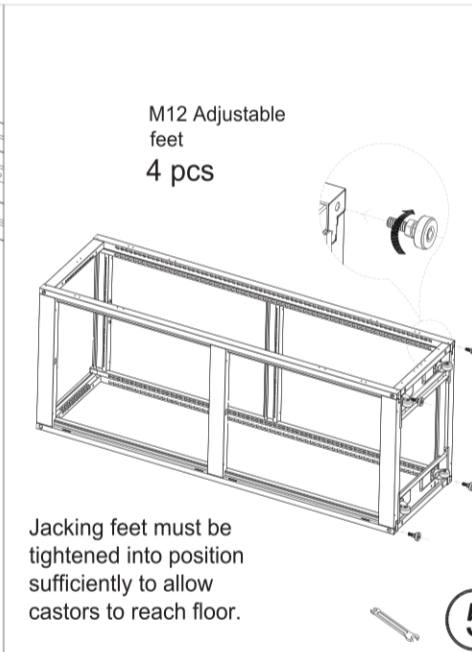
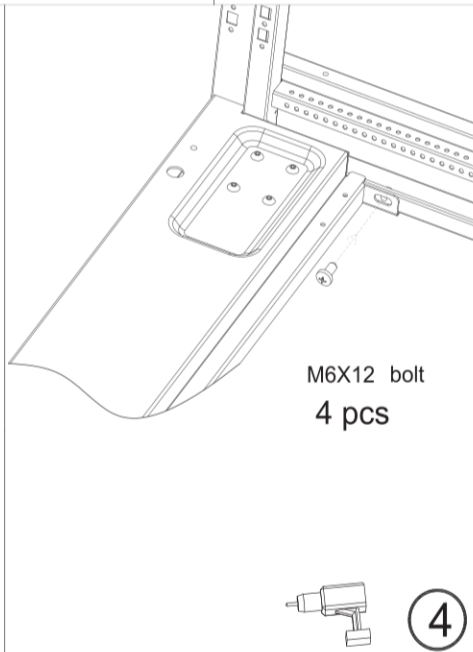
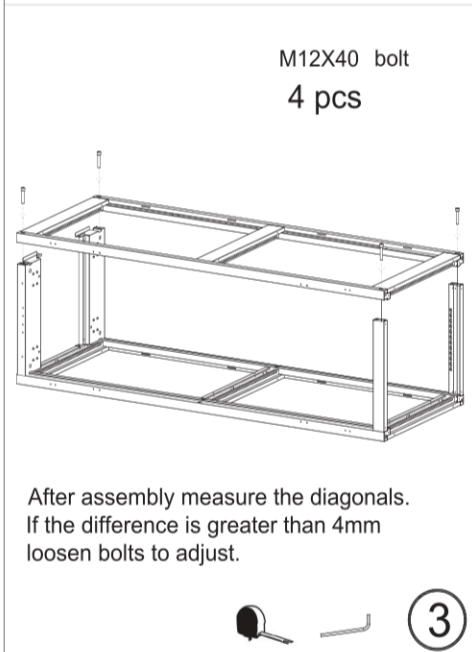
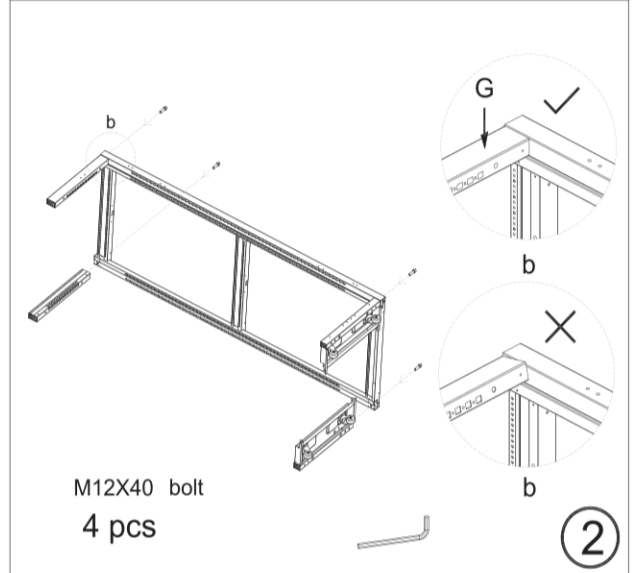
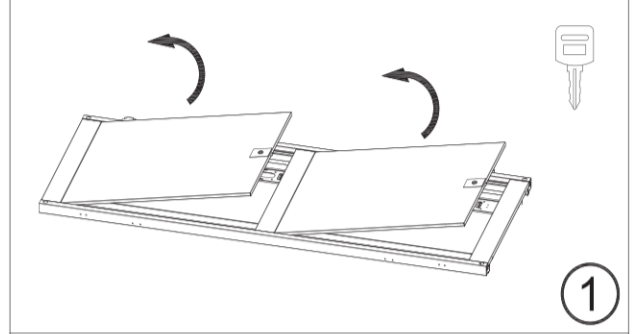
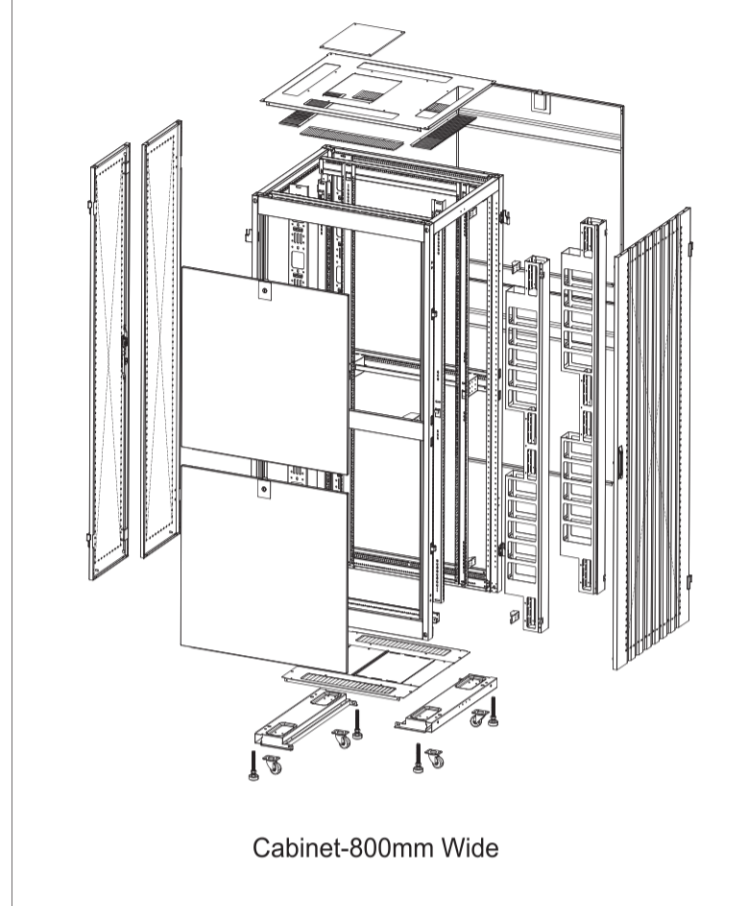
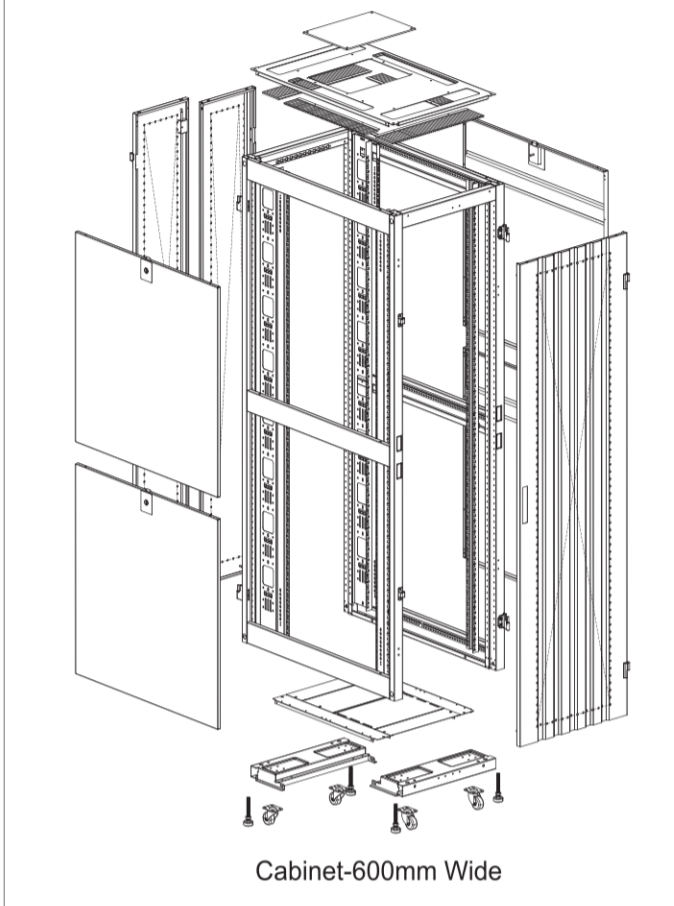


<div style="background-color: black; color: white; padding: 5px; border-radius: 10px; display: inline-block;">Kg</div> Max. 1300kg	Required for Assembly			SUPPLIED PARTS AND HARDWARE									
				8x 	4x 	1x CABINETS INSTALLATION MANUAL	8x 	2x 	2x 	4x 			Screws and nuts for cabinet parts
			8x 	giveaways	8x 		4x 			20(24U)/40(42U) SET			



Cabinet-800mm Wide

1200	862
1000	662
Cabinet depth (mm)	D (mm)

M5X10 bolt 18 pcs

10B

Cabinet-800mm Wide

M5X10 bolt 8 pcs

11B

Cabinet-800mm Wide

M5X10 bolt 12 pcs

12B

Cabinet-600mm Wide

1200	862
1000	662
Cabinet depth (mm)	D (mm)

bolt 12 pcs

7B

Fit roof panel with fan position towards rear of cabinet (deeper cabinets only).

M5X10 bolt 4 pcs

8

Reattach side panels and lock

9

Single or double doors can be fitted front and rear - (Normally single door at the Front and double doors at the rear).

Fitting Single Door
2 Hinges for 42U and smaller
3 Hinges for 47U and taller

Chain stopper	2 pcs
M6X15 bolt	4(45U)/6(45U)
M5X10 bolt	4 pcs

10

Fitting Double Door
2 Hinges for 42U and smaller
3 Hinges for 47U and taller

Chain stopper	2 pcs
M6X15 bolt	8(45U)/12(45U)
M5X10 bolt	4 pcs

11

Doors can be adjusted by loosening hinge screws, moving the door and retighten.